

IMPORTANT

1. Always include complete heater model and serial number so that any specification change can be considered for parts shipment. It can save time and expense.
2. Specifications are subject to change without notice.
3. We reserve the right to substitute functional replacements.
4. Order either by Kit or Component Part No.

Replacement Parts

Form RZ-NA-P-X/XE/RX/RPV

Obsoletes Form RGM 705 (Version A)

APPLIES TO:

Replacement Parts for Models listed in the Index including Models with prefix "C", "H", and "HC"



| Index Reference by Page No. | Indoor | | Outdoor | | | | Indoor | Outdoor |
|--|--------------|------------------|---------------|-------|---|-------------------------|-------------------------|-------------------------------|
| | Duct Furnace | Packaged Systems | Duct Furnaces | | Packaged Systems (Models discontinued as of 1990) | | Unit Heaters (Obsolete) | Evaporative Cooler (Obsolete) |
| | X | XE/XJ | RX | RPV | RXE/RXJ | RPBE/RPVE/RPVJ/REB/REBJ | UA/XA/ XB* | RAM |
| Model Series Designations (including Models with prefix "C", "H", or "HC") | X | XE/XJ | RX | RPV | RXE/RXJ | RPBE/RPVE/RPVJ/REB/REBJ | UA/XA/ XB* | RAM |
| Baffles (Heat Exchanger) | 10 | 10 | 10 | 10 | 10 | 10 | -- | -- |
| Blower | -- | 11 | -- | -- | 11 | 11 | -- | -- |
| Burner Rack and Carryovers | 8 | 8 | 8 | 8 | 8 | 8 | 8** | -- |
| Cabinet Parts (Blower) | -- | 12 | -- | -- | 13 | 13 | -- | -- |
| Cabinet Parts (Heater) | 4 | 4 | 4 | 6 | 4 | 4, 6 | -- | 28 |
| Carryover Regulator | 8 | 8 | 8 | 8 | 8 | 8 | -- | -- |
| Condensate Drain Kit | 27 | 27 | 27 | 27 | -- | -- | -- | -- |
| Contactors | -- | 14 | -- | -- | 14 | 14 | -- | -- |
| Damper and Damper Controls | -- | 20-21 | -- | -- | 20-21 | 20-21 | -- | -- |
| Door Latch Kit | -- | 13 | -- | -- | 13 | 13 | -- | -- |
| Downturn Plenum Cabinet | -- | -- | -- | -- | 20 | 20 | -- | -- |
| Drives | -- | 19 | -- | -- | 19 | 19 | -- | -- |
| Electrical Components | 22-25 | 22-25 | 22-25 | 22-25 | 22-25 | 22-25 | -- | 28 |
| Fan Blades | -- | -- | -- | -- | -- | -- | 18 | -- |
| Fill & Drain Kits (Option CT) | -- | -- | -- | -- | -- | -- | -- | 28 |
| Filters and Filter Racks | -- | 12 | -- | -- | 13 | 13 | -- | 28 |
| Firestat | -- | 23 | -- | -- | 23 | 23 | -- | -- |
| Flue Restrictors | -- | -- | 6 | -- | 6 | 6 | -- | -- |
| Freezestat | -- | 24 | -- | -- | 24 | 24 | -- | -- |
| Heat Exchanger | 10 | 10 | 10 | 10 | 10 | 10 | -- | -- |
| Limit Controls & Shields | 22 | 22 | 22 | 22 | 22 | 22 | -- | -- |
| Manifolds | 8 | 8 | 8 | 8 | 8 | 8 | -- | -- |
| Motors (Blower or Fan) | -- | 14-16 | -- | -- | 16-18 | 16-18 | 18 | -- |
| Pilots | 26 | 26 | 26 | 27 | 26 | 26-27 | 26 | -- |
| Pressure Switch (air proving) | -- | -- | 24 | 24 | 24 | 24 | -- | -- |
| Pressure Switch (combustion air) | -- | -- | -- | 7, 22 | -- | 7, 22 | -- | -- |
| Pressure Switch (dirty filter) | -- | 24 | -- | -- | 24 | 24 | -- | -- |
| Pressure Switch (gas) | 23 | 23 | 23 | 23 | 23 | 23 | -- | -- |
| Relays | 23-24 | 23-24 | 23-24 | 23-24 | 23-24 | 23-24 | 23-24 | -- |
| Remote Console (Option RC) | 25 | 25 | 25 | 25 | 25 | 25 | -- | -- |
| Serial Number Designation | 2 | 2 | 2 | 2 | 2 | 2 | 2 | -- |
| Starters & Starter Heaters | -- | 14-16 | -- | -- | 16-18 | 16-18 | -- | -- |
| Switch, Blocked Vent | 22 | 22 | -- | -- | -- | -- | -- | -- |
| Switches, Disconnect & Toggle | 25 | 25 | 25 | 25 | 25 | 25 | 25 | -- |
| Tape for Curbs | -- | -- | 27 | 27 | 27 | 27 | -- | -- |
| Transformer | 24 | 24 | 24 | 24 | 24 | 24 | -- | -- |
| ***Valves (Shutoff) | 8 | 8 | 8 | 8 | 8 | 8 | 8 | -- |
| Venters | -- | -- | -- | 6 | -- | 6 | -- | -- |
| Vertical Vent Kit (Option CC3) | -- | -- | -- | 6 | -- | 6 | -- | -- |
| Weatherhood (Outside air hood) | -- | -- | -- | -- | 20 | 20 | -- | -- |
| Z-Baffles (Option ZZ) | -- | -- | 4-5 | -- | 4-5 | -- | -- | -- |

* Replacement parts for obsolete unit heaters are limited. Cabinet parts are not available. ** Not available for Model UA.

REFERENCES:

Replacement Parts and Service Forms, Form RZ-NA

P-PILOTS, Pilots

P-STATS, Thermostats and Accessories

P-GC, Gas Conversion

P-LTR-TUBES, Burner Rack Carryover and Lighter Tubes

P-RG/RP/RBL, Parts for Model Series RG and RP

P-FAN-LIMIT, Fan and Limit Controls

***P-VALVES, Serial Nos., Gas Valves, Ignition Controllers, and Maxitrol Gas Controls

P-VENTER, Power Venter for Model Series X and XE

737, Parts for Model PAK

CP-X-CONV, Convert Model Series X and RX with G19 or T32 to G770

CP-RPV-CONV, Convert Model Series RPV with G29 to G770

CP-RPV-PS, Pressure Switch Kit for Model Series RPV

CP-X/SC-IGN, Convert Model Series X and RX with G60 to G770

CP-EEDU/RPV/XLB-IGN, Convert Model Series RPV with G60 to G770

Installation/Operation Forms for currently manufactured Models, Form RZ-NA

I-OUTDOOR-DUCT, Models RX and RPV

I-XE/RGB/RPB, Model XE

I-X, Model X

Adapter Backs for Blowers and Blowers

| Code | Component Description | 75, 100, 125 | 150, 175 | 200, 225 | 250, 300 | 350 | 400 |
|------|------------------------------|--------------|----------|----------|----------|--------|--------|
| 115 | Blower Adapter Back Assembly | 193986 | 194054 | 194093 | 193988 | 194063 | 194064 |
| 116 | Blower Adapter Top & Bottom | (2)53277 | -- | -- | -- | -- | -- |
| 117 | Blower Adapter Sides | (2)53278 | -- | -- | -- | -- | -- |
| 118 | Left Corner Support Filler | 53279 | -- | -- | -- | -- | -- |
| 119 | Right Corner Support Filler | 53280 | -- | -- | -- | -- | -- |

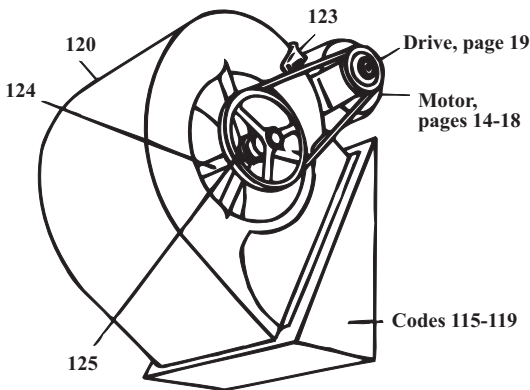
| Code | Component Description | 75, 100, 125 | 150, 175, 200, 225 | 250, 300 | 350, 400 |
|------|---|---------------------------------|--------------------|---------------------|---------------------|
| 120 | Blower including Housing, Wheel, Shaft and Bearings | 1357 | 1360 | -- | -- |
| 121 | Blower with motor bracket (includes housing and wheel only) | -- | -- | 24230 | 24232 |
| 122 | Blower Housing and Wheel only | -- | -- | 24229 | 24231 |
| 123 | Blower Motor Mounting Bracket | Less than 1-1/2 HP | 44409 | 44410 | 44409 |
| 124 | Blower Shaft | 11302 3/4 x 22 | 11303 1 x 22 | 10120 1 x 39-1/4 | 10121 1 x 44-5/8 |
| 125 | Blower Bearings | (2) | 7310 | 10437 | 10437 |
| 126 | Motor Adjustment Bracket Assembly | | 44411 | 44411 | 44411 |
| 126A | Hex Head Bolt 5/16 -18 x 4" for Code 226 | | 14668 | 14668 | 14668 |
| 127 | Hardware Bag | | 64940 | 64940 | 64940 |
| 128 | Motor Mounting Plate | 1-1/2 HP Motor and Larger | 12578 | 12578 | 12578 |
| 129 | Left Mounting Plate Support | | 12576 | 12576 | 12576 |
| 130 | Right Mounting Plate Support | | 12577 | 12577 | 12577 |
| 131 | Rod Bolt for Motor Mounting Plate Assembly | | 12489 | 12489 | 12489 |
| 132 | Blower Key, P/N 19361 | | | | |

Contactors and Starters - See pages 14 - 18.

Motors - See pages 14 - 18.

Drive Components - See page 19.

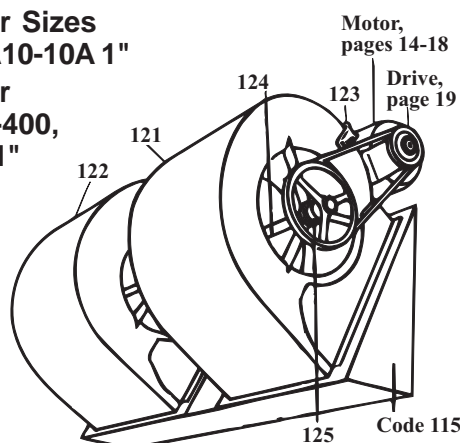
Blower for Sizes 75-225, A10-10AC 3/4"



NOTE: Blower adapter backs for Sizes 50 through 100 manufactured prior to 1980 are no longer available.

Blowers for Sizes 250-300, 2A10-10A 1"

Blowers for Sizes 350-400, 2A12-12A 1"



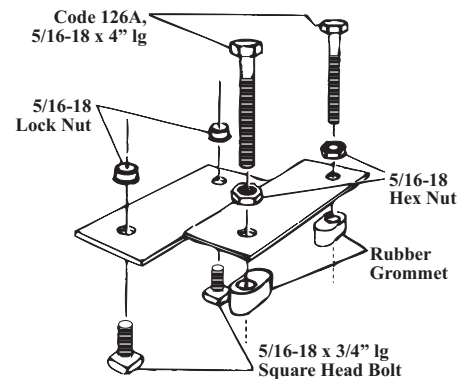
Code 123 - Motor Mounting Bracket

For motors less than 1-1/2HP (for larger motors, see Codes 128-131)

P/N 44409 for 14" plate, 10" wheel
P/N 44410 for 16" plate, 12" wheel



Code 126 - Motor Adjustment Bracket Assembly for Motors less than 1-1/2HP



Code 127 - Replacement Hardware for Motor Adjustment Bracket Assembly, Code 126



Codes 128 - 132 Motor Mounting Plate for Motors 1-1/2 HP and larger

